



# DATA SHEET – MwStop® CHECK VALVE

## Technical Data – One collar

<b>Article no.</b>	Mw97-45-3oc	soft-membrane	
	Mw97-55-3oc	std-membrane	
	Mw97-65-3oc	hard-membrane	
<b>DN</b>	100		
<b>Diameter</b>	97		
<b>Length</b>	188 mm		
<b>Range of application</b>	Ø 98* - 111 mm (with outer sealing) *) Minimum installation dimension with suitable sealing tape (without outer sealing): <b>min. Ø 94 mm</b>		
<b>Material case</b>	EN 1.4404/AISI 316L		
<b>Material membrane</b>	EPDM		
<b>Material fastening bracket</b>	EN 1.4404/ AISI 316L		
	<b>soft-membrane</b>	<b>std-membrane</b>	<b>hard-membrane</b>
<b>max. backflow pressure</b>	3 m H <sub>2</sub> O(0,3bar)	5 m H <sub>2</sub> O (0,5bar)	8 m H <sub>2</sub> O (0,8bar)
<b>Horizontal opening pressure</b>	149 mm H <sub>2</sub> O	169 mm H <sub>2</sub> O	189 mm H <sub>2</sub> O
<b>Horizontal closing pressure</b>	69 mm H <sub>2</sub> O	109 mm H <sub>2</sub> O	119 mm H <sub>2</sub> O
<b>max. flow velocity</b>	2m/s Fitting for higher flow velocity on request		

**Membranes are hydrogen sulfide (H<sub>2</sub>S) resistant**

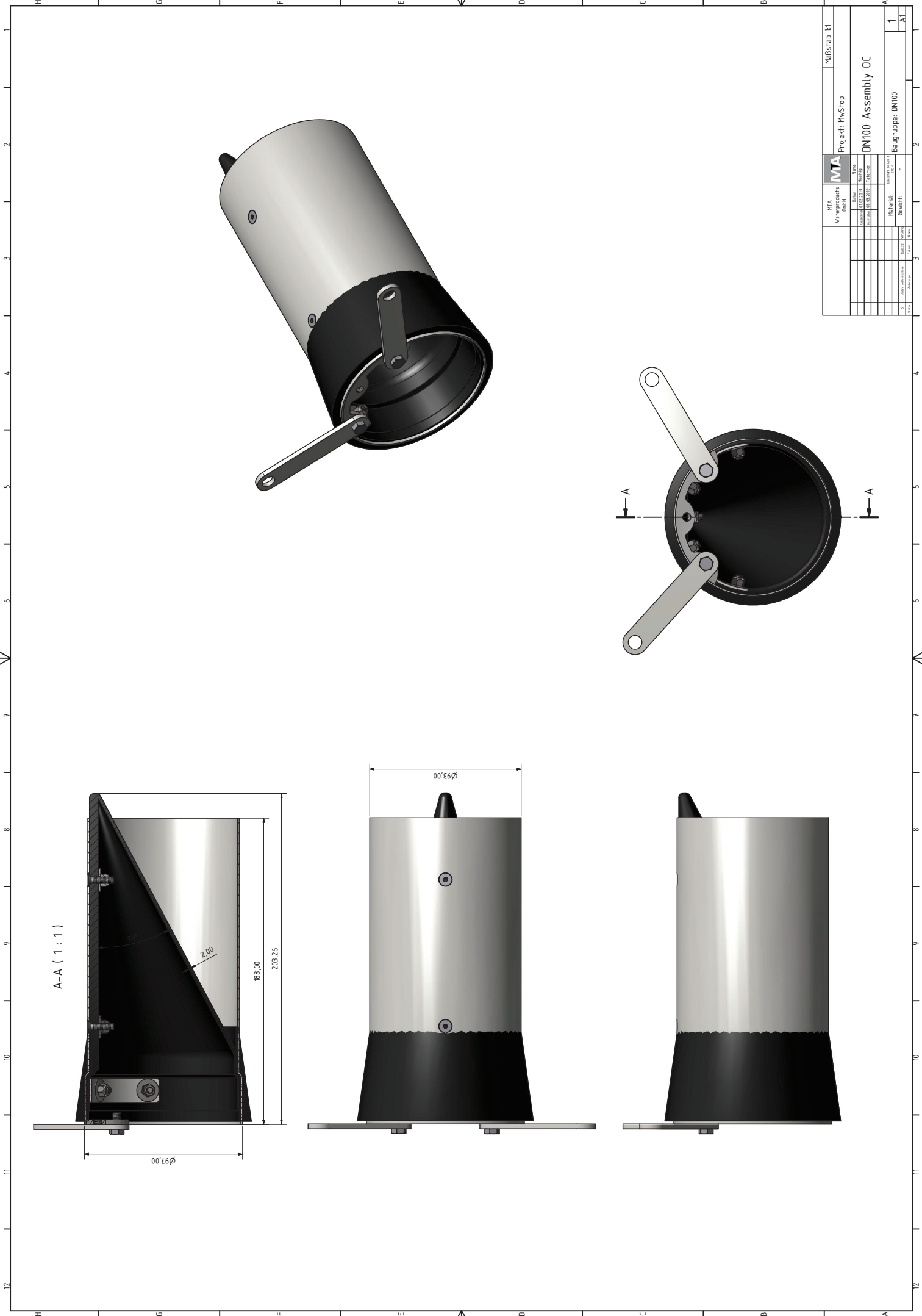
### General distribution: MTA Messtechnik GmbH

A - 9300 St. Veit an der Glan, Handelsstr. 14 - 16 | www.mta-messtechnik.at | office@mta-messtechnik.at | T +43 4212 71491

Place of jurisdiction: A - 9300 St. Veit an der Glan, FN 226770 k Company register Klagenfurt,

The current terms and conditions can be found on our website: www.mta-messtechnik.at

Produced by: MTA-Water Products GmbH



MFA		Maßstab 1:1	
MFA Waterproducts GmbH		Projekt: MwStop	
Titel	Zeichnung	Standort	Blatt
01.00	01.00	01.00	01.00
MFA Waterproducts GmbH		DN100 Assembly OC	
Material: ...		Baugruppe: DN100	
Gezeichnet: ...		Blatt: 1	
Geprüft: ...		Blatt: A1	

This drawing, as well as the layout and the contents are property of the company MFA Waterproducts GmbH. Without explicit written agreement they may not be handed over to third natural or legal persons, neither may be reproduced, used or copied (reproduced or furthered) in any form, without the prior written consent of MFA Waterproducts GmbH. (Federal law § 17 (1) UrhG)

This drawing, as well as the layout and the contents are property of the company MFA Waterproducts GmbH. Without explicit written agreement they may not be handed over to third natural or legal persons, neither may be reproduced, used or copied (reproduced or furthered) in any form, without the prior written consent of MFA Waterproducts GmbH. (Federal law § 17 (1) UrhG)