



# DATA SHEET – MwStop® CHECK VALVE

## Technical Data - Short-Housing

<b>Article no.</b>	Mw440-45-3sh	soft-membrane	
	Mw440-55-3sh	std-membrane	
	Mw440-65-3sh	hard-membrane	
<b>DN</b>	450		
<b>Diameter</b>	443		
<b>Length</b>	550 mm		
<b>Range of application</b>	Ø 436* - 465 mm (with outer sealing) *) Minimum installation dimension with suitable sealing tape (without outer sealing): <b>min. Ø 432 mm</b>		
<b>Material case</b>	EN 1.4404/AISI 316L		
<b>Material membrane</b>	EPDM		
<b>Material fastening bracket</b>	EN 1.4404/AISI 316L		
	<b>soft-membrane</b>	<b>std-membrane</b>	<b>hard-membrane</b>
<b>max. backflow pressure</b>	2 m H <sub>2</sub> O (0,2bar)	3 m H <sub>2</sub> O (0,3bar)	3 m H <sub>2</sub> O (0,3bar)
<b>Horizontal opening pressure</b>	199 mm H <sub>2</sub> O	219 mm H <sub>2</sub> O	249 mm H <sub>2</sub> O
<b>Horizontal closing pressure</b>	124 mm H <sub>2</sub> O	144 mm H <sub>2</sub> O	164 mm H <sub>2</sub> O
<b>max. flow velocity</b>	3 m/s Fitting for higher flow velocity on request		

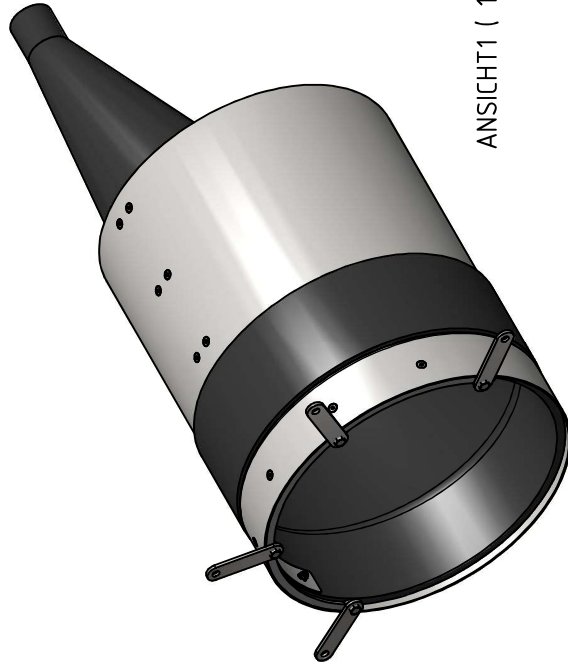
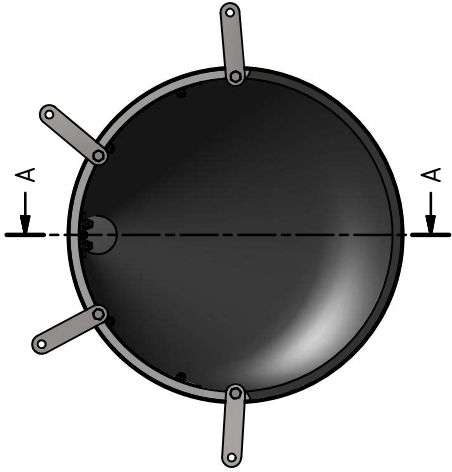
Membranes are hydrogen sulfide (H<sub>2</sub>S) resistant

### General distribution: MTA Messtechnik GmbH

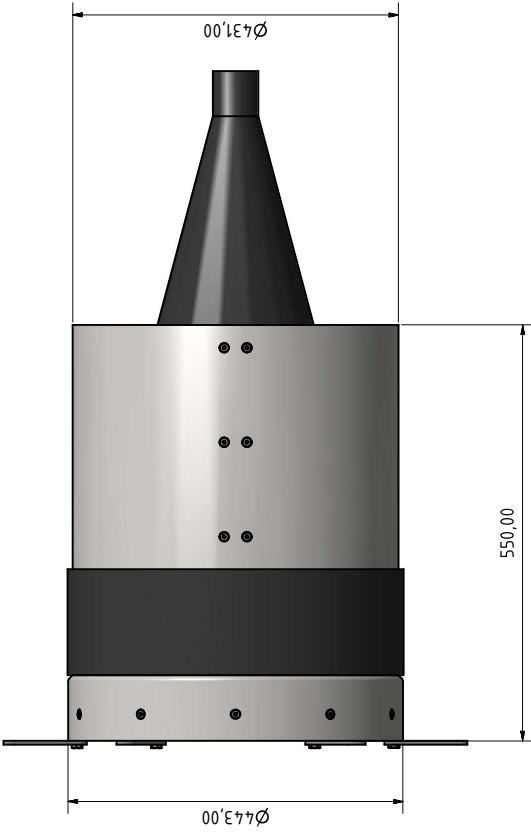
A - 9300 St. Veit an der Glan, Handelsstr. 14 - 16 | www.mta-messtechnik.at | office@mta-messtechnik.at | T +43 4212 71491  
Place of jurisdiction: A - 9300 St. Veit an der Glan, FN 226770 k Company register Klagenfurt,

The current terms and conditions can be found on our website: www.mta-messtechnik.at

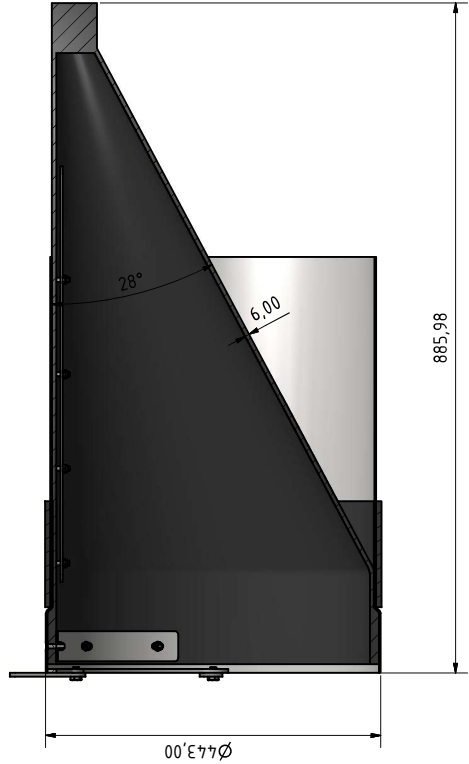
Produced by: MTA-Water Products GmbH



ANSICHT1 ( 1:5 )



A-A ( 1 : 5 )



MTA Water-Products GmbH		Projekt: MwStop		Maßstab 1:5	
Name: _____ MFG: _____ Datum: 1.03.2018 Zeichnung: 1.03.2018 Version: 1.03.2018		Material: Edelstahl, EPDM Gewicht: -		Baugruppe: DN450 Assembly Blatt: 1 A2	
ZW	Zustimmung/Änderung	35.02.2022	09:00:00		
Druck	Druck				