



DATA SHEET – MwStop® CHECK VALVE

Technical Data - Short-Housing

Article no.	Mw390-45-3sh	soft-membrane	
	Mw390-55-3sh	std-membrane	
	Mw390-65-3sh	hard-membrane	
DN	400		
Diameter	390		
Length	500 mm		
Range of application	Ø 383* - 412 mm (with outer sealing) *) Minimum installation dimension with suitable sealing tape (without outer sealing): min. Ø 379 mm		
Material case	EN 1.4404/AISI 316L		
Material membrane	EPDM		
Material fastening bracket	EN 1.4404/AISI 316L		
	soft-membrane	std-membrane	hard-membrane
max. backflow pressure	2 m H ₂ O (0,2bar)	3 m H ₂ O (0,3bar)	3 m H ₂ O (0,3bar)
Horizontal opening pressure	289 mm H ₂ O	314 mm H ₂ O	354 mm H ₂ O
Horizontal closing pressure	184 mm H ₂ O	189 mm H ₂ O	214 mm H ₂ O
max. flow velocity	3 m/s Fitting for higher flow velocity on request		

Membranes are hydrogen sulfide (H₂S) resistant

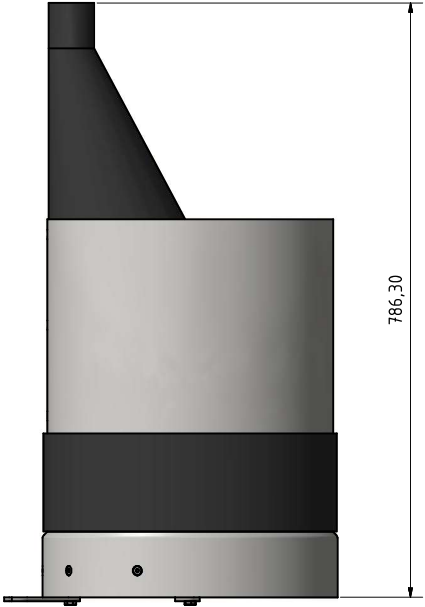
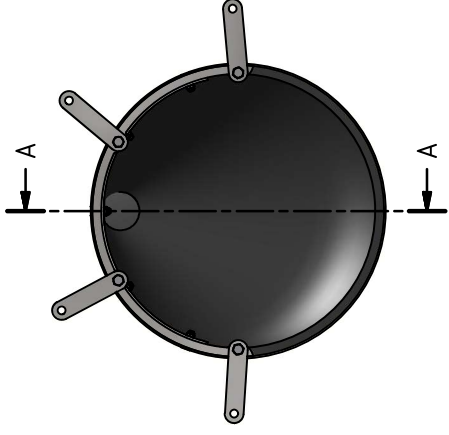
General distribution: MTA Messtechnik GmbH

A - 9300 St. Veit an der Glan, Handelsstr. 14 - 16 | www.mta-messtechnik.at | office@mta-messtechnik.at | T +43 4212 71491

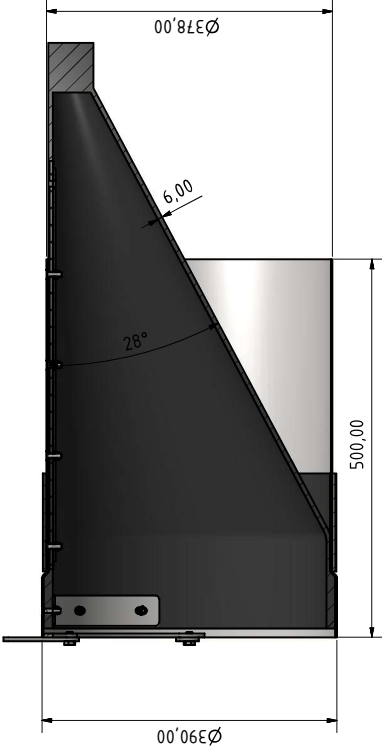
Place of jurisdiction: A - 9300 St. Veit an der Glan, FN 226770 k Company register Klagenfurt,

The current terms and conditions can be found on our website: www.mta-messtechnik.at

Produced by: MTA-Water Products GmbH



A-A (1 : 5)



MTA Water Products GmbH		Projekt: MwStop		Maßstab 1:5	
Druck	1:03.2019	Name			
Zeichner		McGaming			
Gezeichnet		Laferrier			
		Material: Edelstahl, EPDM			
01	Material an Werktagen 10h	30.12.2021	Permalink		
02	Prozessurteil anfertigen	30.12.2021	Permalink		
03	Final anfertigen	20.02.2021	Permalink		
04					
Baugruppe: DN400_390 Assembly		Gewicht: 1		A2	
Bauteil: -		Gewicht: -		A2	