



# DATA SHEET – MwStop® CHECK VALVE

## Technical Data - Standard-Housing

<b>Article no.</b>	Mw390-45-3std	soft-membrane	
	Mw390-55-3std	std-membrane	
	Mw390-65-3std	hard-membrane	
<b>DN</b>	400		
<b>Diameter</b>	390		
<b>Length</b>	800 mm		
<b>Range of application</b>	Ø 391 - 412 mm		
<b>Material case</b>	EN 1.4404/AISI 316L		
<b>Material membrane</b>	EPDM		
<b>Material fastening bracket</b>	EN 1.4404/AISI 316L		
<b>max. backflow pressure</b>	<b>soft-membrane</b> 3 m H <sub>2</sub> O (0,3bar)	<b>std-membrane</b> 5 m H <sub>2</sub> O (0,5bar)	<b>hard-membrane</b> 8 m H <sub>2</sub> O (0,8bar)
<b>Horizontal opening pressure</b>	289 mm H <sub>2</sub> O	314 mm H <sub>2</sub> O	354 mm H <sub>2</sub> O
<b>Horizontal closing pressure</b>	184 mm H <sub>2</sub> O	189 mm H <sub>2</sub> O	214 mm H <sub>2</sub> O
<b>max. flow velocity</b>	3 m/s		
	Fitting for higher flow velocity on request		

Membranes are hydrogen sulfide (H<sub>2</sub>S) resistant

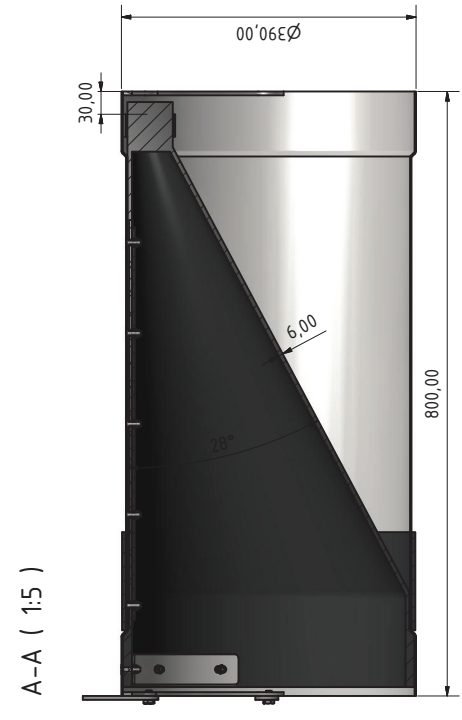
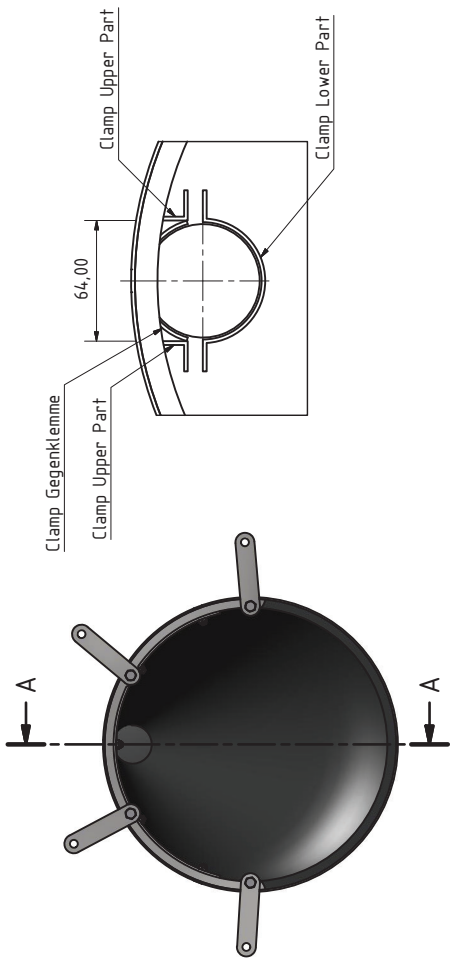
### General distribution: MTA Messtechnik GmbH

A - 9300 St. Veit an der Glan, Handelsstr. 14 - 16 | [www.mta-messtechnik.at](http://www.mta-messtechnik.at) | [office@mta-messtechnik.at](mailto:office@mta-messtechnik.at) | T +43 4212 71491

Place of jurisdiction: A - 9300 St. Veit an der Glan, FN 226770 k Company register Klagenfurt,

The current terms and conditions can be found on our website: [www.mta-messtechnik.at](http://www.mta-messtechnik.at)

Produced by: MTA-Water Products GmbH



MTA		Maßstab 1:5	
Waterproducts GmbH		Projekt: MwStop	
Zeichnung	11.03.2019	DN400_390 Assembly	
Termin	01.12.2021	Baugruppe: DN400_390 Assembly	
Material: 6081 ALU, 1.4561		1	
Gewicht: -		A2	
Blatt	3	2	

