



DATA SHEET – MwStop® CHECK VALVE

Technical Data - PE-Housing

Article no.	Mw250_240-45-PE	soft-membrane
	Mw250_240-55-PE	std-membrane
	Mw250_240-65-PE	hard-membrane

DN 250 mm

Diameter 240 mm

Length 520 mm

Material case PE (Polyethylen)

Material membrane EPDM

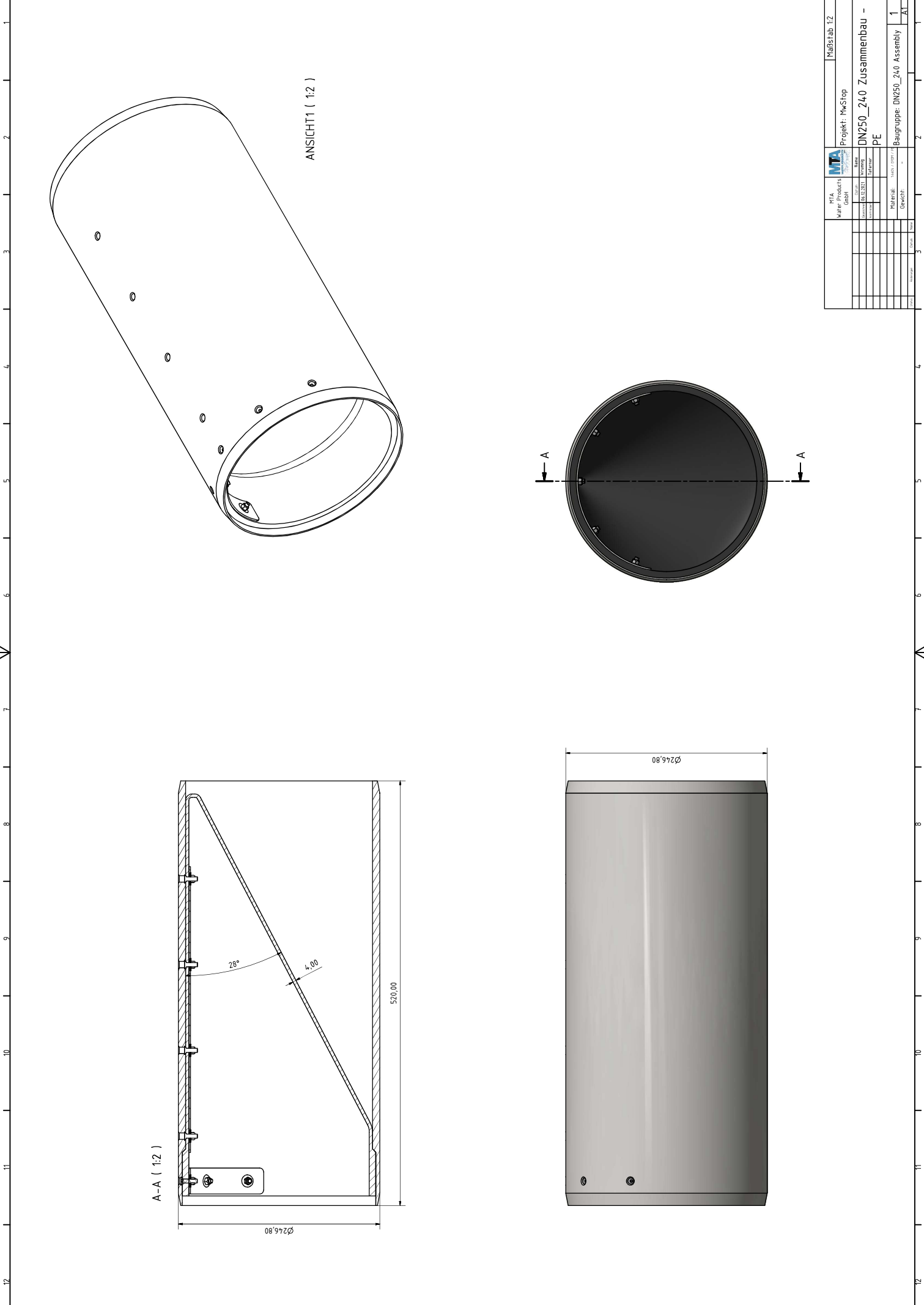
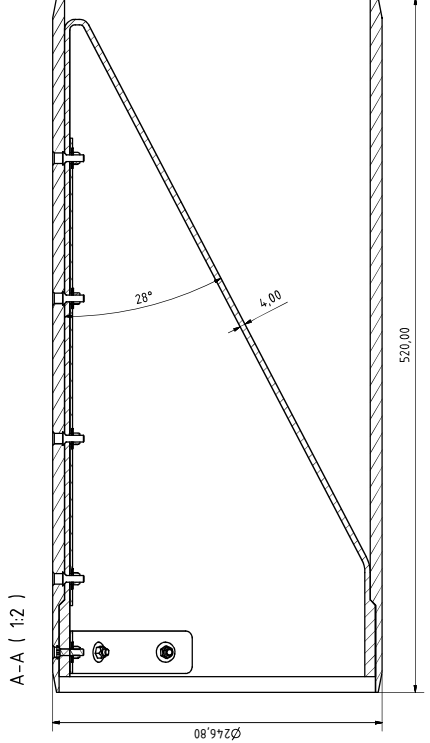
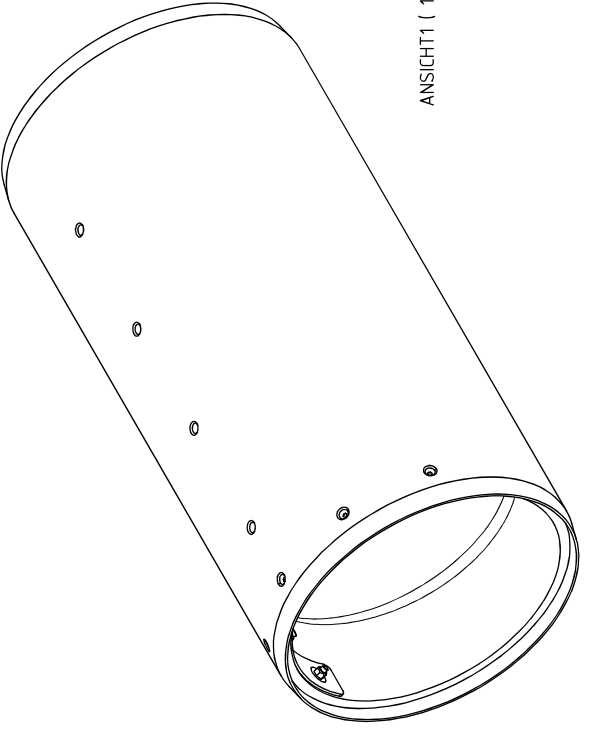
Material fastening bracket EN 1.4404/ AISI 316L

	soft-membrane	std-membrane	hard-membrane
max. backflow pressure	3 m H ₂ O(0,3bar)	160 5 m H ₂ O (0,5bar)	8 m H ₂ O (0,8bar)
Horizontal opening pressure	mm H ₂ O	175 mm H ₂ O	195 mm H ₂ O
Horizontal closing pressure	90 mm H ₂ O	110 mm H ₂ O	120 mm H ₂ O

max. flow velocity 2m/s
Fitting for higher flow velocity on request

Membranes are hydrogen sulfide (H₂S) resistant

MFA Water Products GmbH		Projekt: Mw-Stop		Maßstab: 1:2	
MFA Water Products GmbH		DN250_240 Zusammenbau - PE			
MFA Water Products GmbH		Baugruppe: DN250_240 Assembly		1	
MFA Water Products GmbH		Gewicht:		A1	



This design, as well as the layout and the contents are property of the company MFA Waterproducts GmbH. Without explicit written agreement they may not be handed over to third parties, neither may be imported, used or copied (unauthorised or unzulässig) without the prior written consent of MFA Waterproducts GmbH. (Trade secret, copyright law - Federal law 92a/17a (17c))

This drawing, as well as the layout and the contents are property of the company MFA Waterproducts GmbH. Without explicit written agreement they may not be handed over to third parties, neither may be imported, used or copied (unauthorised or unzulässig) without the prior written consent of MFA Waterproducts GmbH. (Trade secret, copyright law - Federal law 92a/17a (17c))