



DATA SHEET – MwStop® CHECK VALVE

Technical Data - Standard-Housing

Article no.	Mw230-45-3std	soft-membrane	
	Mw230-55-3std	std-membrane	
	Mw230-65-3std	hard-membrane	
DN	250		
Diameter	230		
Length	520 mm		
Range of application	Ø 231 - 252 mm		
Material case	EN 1.4404/AISI 316L		
Material membrane	EPDM		
Material fastening bracket	EN 1.4404/AISI 316L		
	soft-membrane	std-membrane	hard-membrane
max. backflow pressure	3 m H ₂ O (0,3bar)	5 m H ₂ O (0,5bar)	8 m H ₂ O (0,8bar)
Horizontal opening pressure	199 mm H ₂ O	204 mm H ₂ O	229 mm H ₂ O
Horizontal closing pressure	119 mm H ₂ O	134 mm H ₂ O	149 mm H ₂ O
max. flow velocity	2 m/s		
	Fitting for higher flow velocity on request		

Membranes are hydrogen sulfide (H₂S) resistant

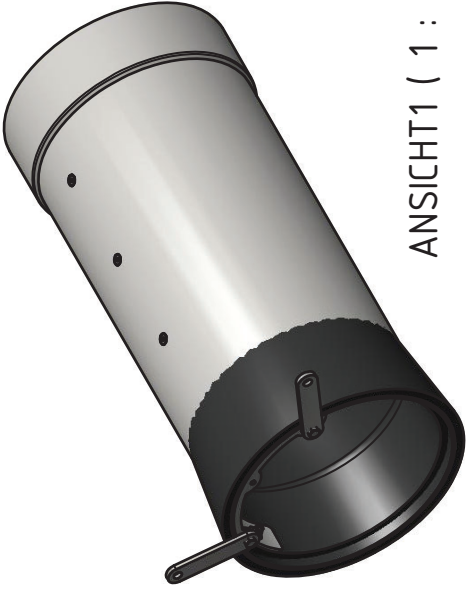
General distribution: MTA Messtechnik GmbH

A - 9300 St. Veit an der Glan, Handelsstr. 14 - 16 | www.mta-messtechnik.at | office@mta-messtechnik.at | T +43 4212 71491

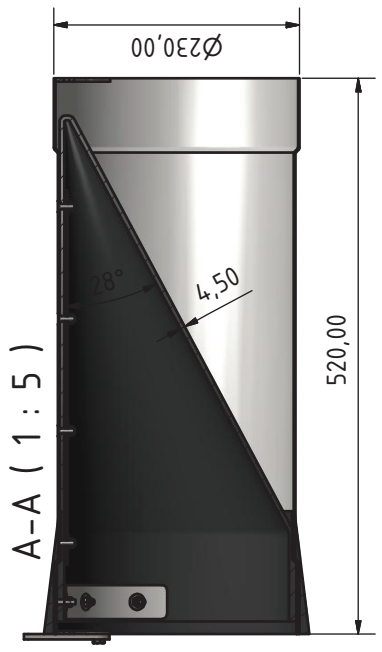
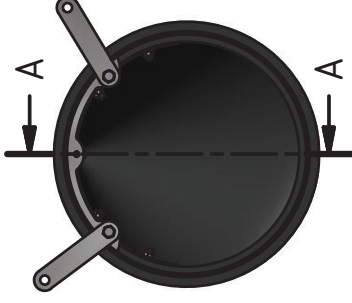
Place of jurisdiction: A - 9300 St. Veit an der Glan, FN 226770 k Company register Klagenfurt,

The current terms and conditions can be found on our website: www.mta-messtechnik.at

Produced by: MTA-Water Products GmbH



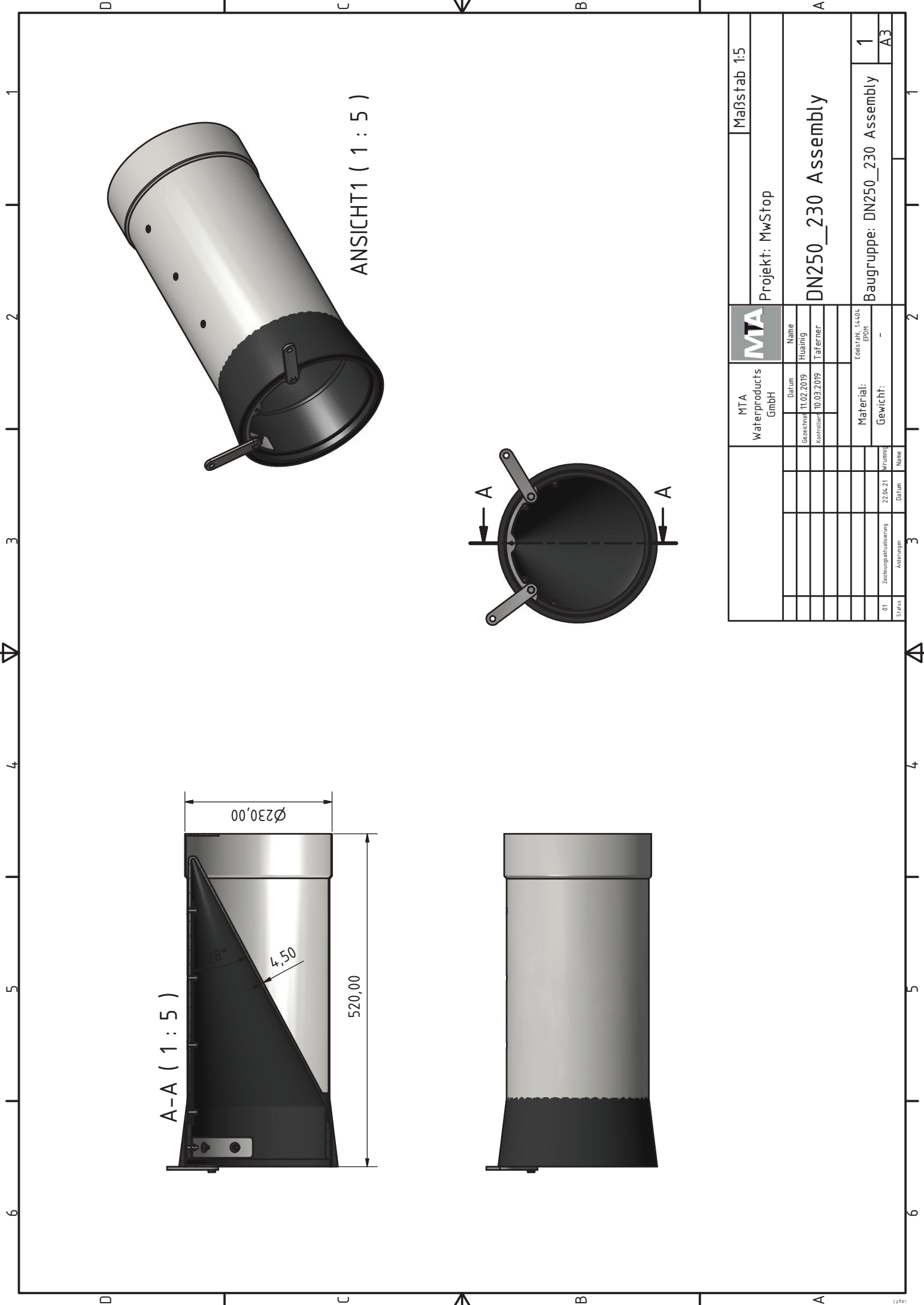
ANSICHT1 (1 : 5)



A-A (1 : 5)



MTA Waterproducts GmbH		MTA		Projekt: MwStop		Maßstab 1:5	
Gezeichnet: 11.02.2019		Name: Huang		DN250_230 Assembly			
Kontrolliert: 10.03.2019		Name: Taerner		Baugruppe: DN250_230 Assembly			
		Material: Edelstahl, 1.4404		1			
		Gewicht: -		A3			
Status: 01		Zeichnungsaktualisierung: 22.04.21					
Adresse:		Datum:					
Name:		Name:					



This drawing, as well as the layout and the contents, are a property of the company MTA Waterproducts GmbH. Without explicit written permission from MTA Waterproducts GmbH, the reproduction, distribution, or use of this document is prohibited. All rights reserved. © MTA Waterproducts GmbH. This drawing is not to be used for any other purpose than the one intended. The user is responsible for the correct use of the drawing. The drawing is not to be used for any other purpose than the one intended. The user is responsible for the correct use of the drawing. The drawing is not to be used for any other purpose than the one intended. The user is responsible for the correct use of the drawing.