



DATA SHEET – MwStop® CHECK VALVE

Technical Data - Short-Housing

| | | | |
|-----------------------------|---|-------------------------------|-------------------------------|
| Article no. | Mw181-45-3sh | soft-membrane | |
| | Mw181-55-3sh | std-membrane | |
| | Mw181-65-3sh | hard-membrane | |
| DN | 200 | | |
| Diameter | 181 | | |
| Length | 270 mm | | |
| Range of application | Ø 178* - 199 mm (with outer sealing) *) Minimum installation dimension with suitable sealing tape (without outer sealing): min. Ø 174 mm | | |
| Material case | EN 1.4404/AISI 316L | | |
| Material membrane | EPDM | | |
| Material fastening bracket | EN 1.4404/AISI 316L | | |
| | soft-membrane | std-membrane | hard-membrane |
| max. backflow pressure | 2 m H ₂ O (0,2bar) | 3 m H ₂ O (0,3bar) | 3 m H ₂ O (0,3bar) |
| Horizontal opening pressure | 234 mm H ₂ O | 304 mm H ₂ O | 339 mm H ₂ O |
| Horizontal closing pressure | 104 mm H ₂ O | 139 mm H ₂ O | 154 mm H ₂ O |
| max. flow velocity | 2 m/s | | |
| | Fitting for higher flow velocity on request | | |

Membranes are hydrogen sulfide (H₂S) resistant

General distribution: MTA Messtechnik GmbH

A - 9300 St. Veit an der Glan, Handelsstr. 14 - 16 | www.mta-messtechnik.at | office@mta-messtechnik.at | T +43 4212 71491

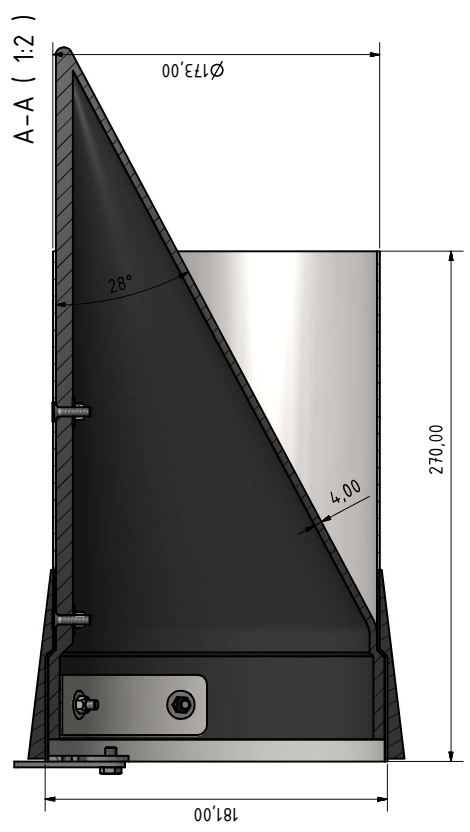
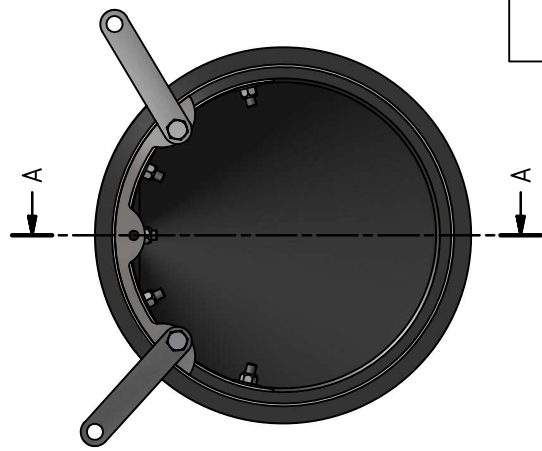
Place of jurisdiction: A - 9300 St. Veit an der Glan, FN 226770 k Company register Klagenfurt,

The current terms and conditions can be found on our website: www.mta-messtechnik.at

Produced by: MTA-Water Products GmbH



ANSICHT1 (1:2)



A-A (1:2)



| | | | | | |
|-------------------------|------------|------------------|--|--------------------------|--|
| MTA Water Products GmbH | | Name | | Maßstab 1:2 | |
| Druck | 02.02.2019 | Mikaeling | | Projekt: MwStop | |
| Gezeichnet | 02.02.2019 | Lafrenier | | DN200_181 Assembly short | |
| Gezeichnet | | | | Baugruppe: DN200_181 | |
| | | Material: 1.4404 | | 1 | |
| | | Gewicht: - | | A2 | |
| | | Zustand | | 2 | |
| | | Datei | | 3 | |
| | | Blatt | | 4 | |
| | | Seite | | 5 | |
| | | Zustand | | 6 | |
| | | Datei | | 7 | |
| | | Blatt | | 8 | |
| | | Seite | | 9 | |

