



DATA SHEET – MwStop® CHECK VALVE

Technical Data - Standard-Housing

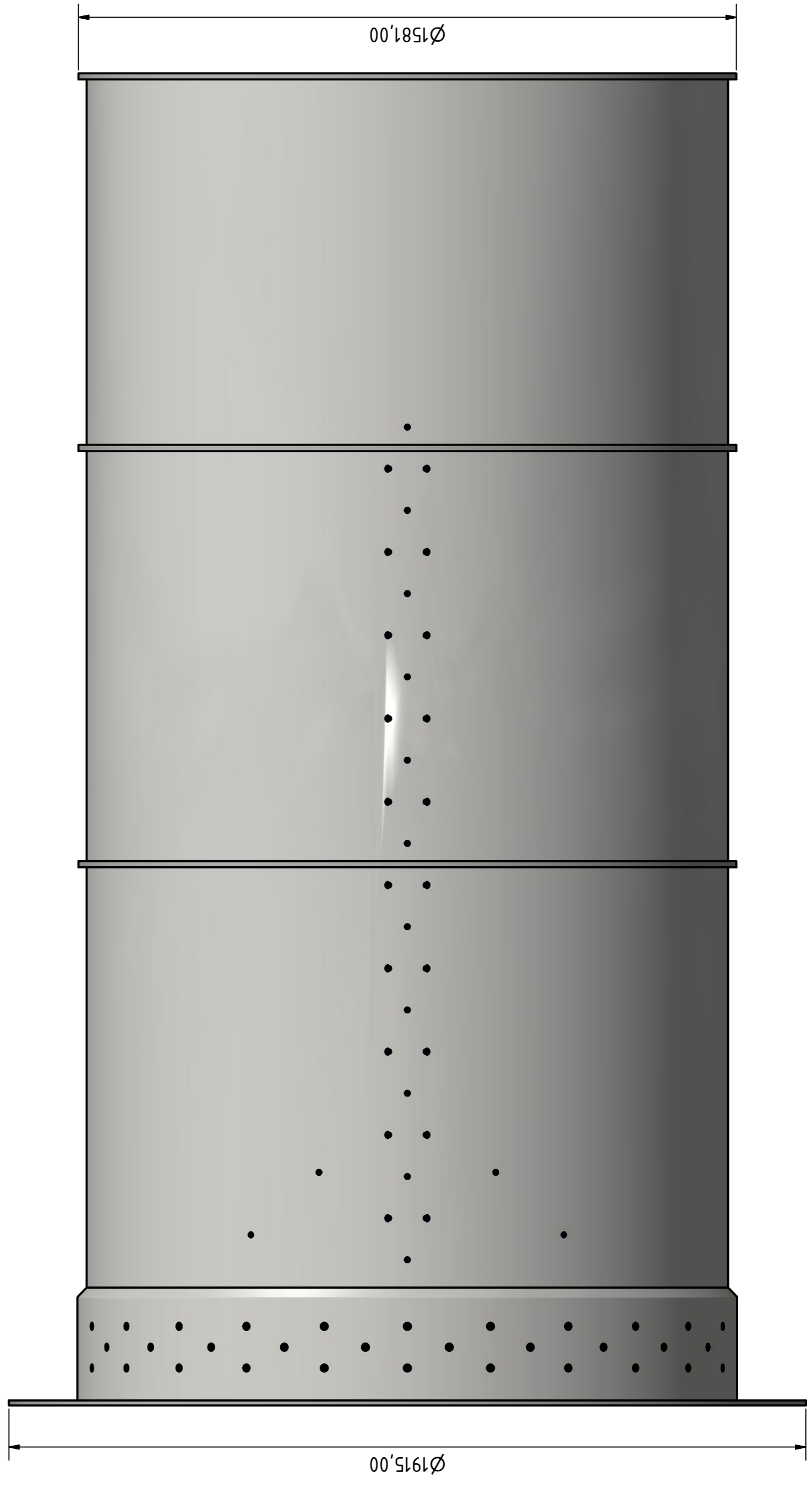
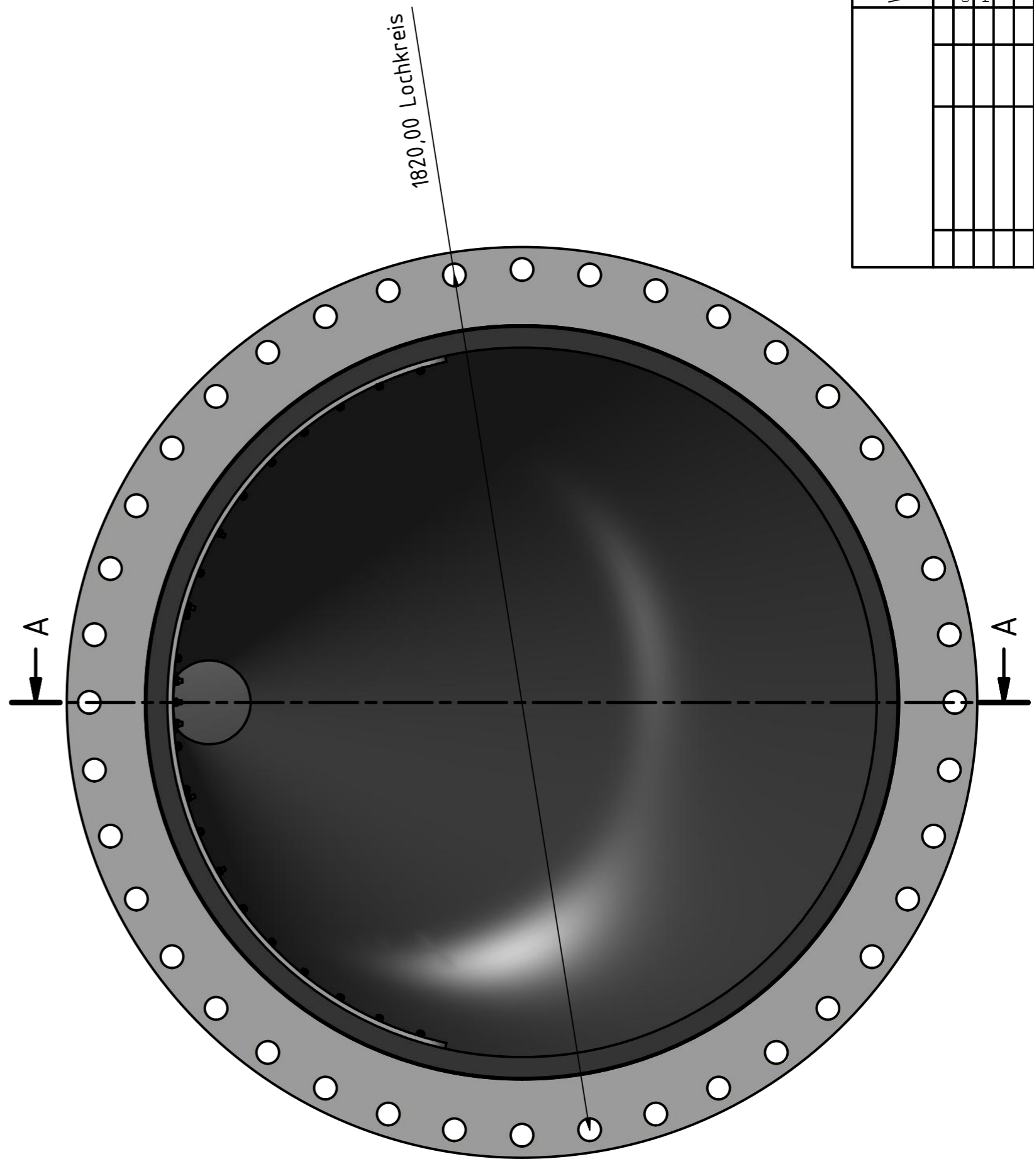
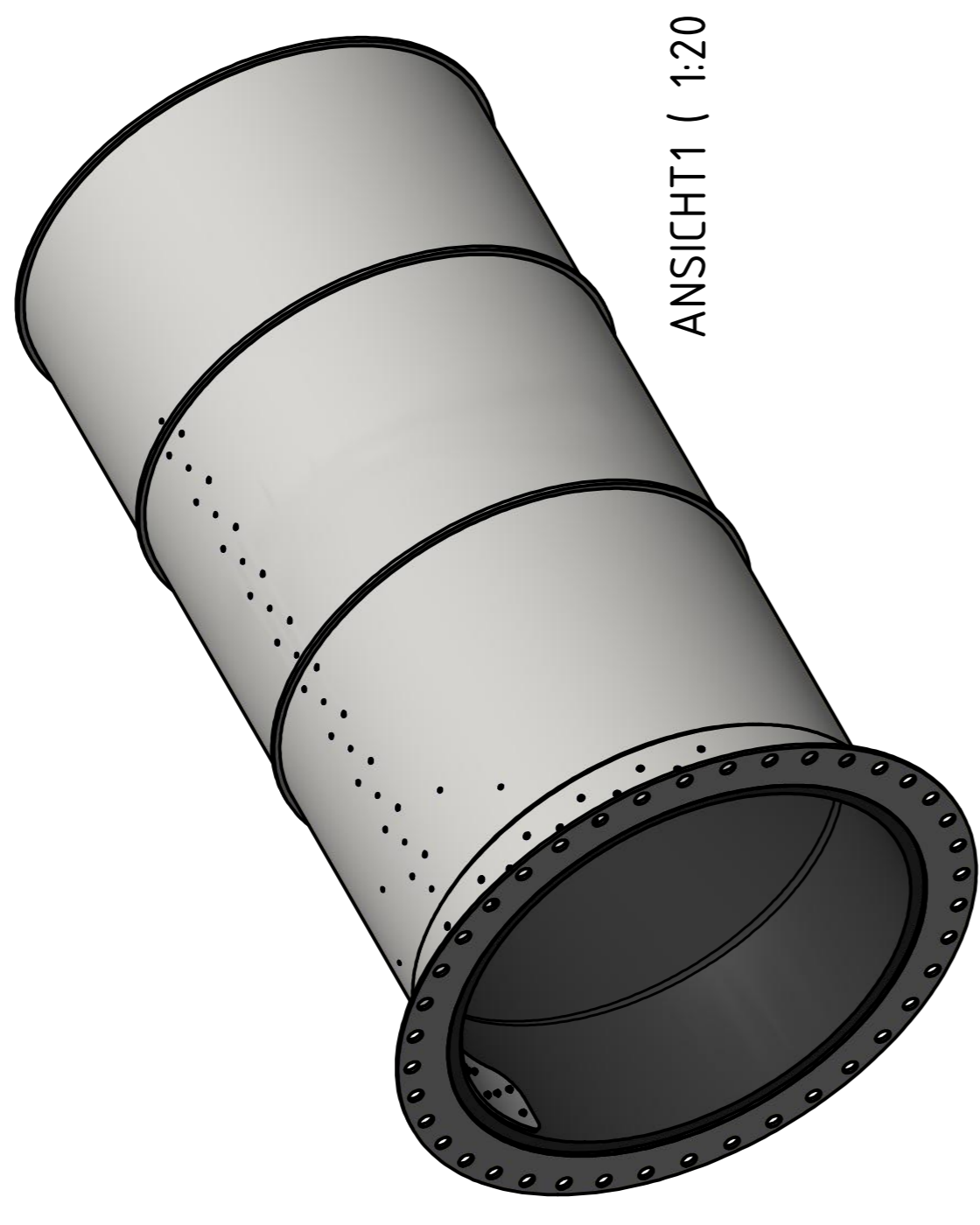
Article no.	Mw1585-45-3FL	soft-membrane
	Mw1585-55-3FL	std-membrane
	Mw1585-65-3FL	hard-membrane

DN	1600
Diameter	1585
Length	3200 mm
Range of application	Ø 1590-1720 mm
Material case	EN 1.4404/AISI 316L
Material membrane	EPDM
Material fastening bracket	EN 1.4404/AISI 316L

	soft-membrane	std-membrane	hard-membrane
max. backflow pressure	3 m H ₂ O (0,3bar)	5 m H ₂ O (0,5bar)	8 m H ₂ O (0,8bar)
Horizontal opening pressure	518 mm H ₂ O	596 mm H ₂ O	678 mm H ₂ O
Horizontal closing pressure	331 mm H ₂ O	381mm H ₂ O	427 mm H ₂ O
max. flow velocity	2 m/s Fitting for higher flow velocity on request		

Membranes are hydrogen sulfide (H₂S) resistant

General distribution: MTA Messtechnik GmbH



MTA Water Products GmbH		Projekt: MwStop		Maßstab 1:10	
Stand	Name	Stand	Name	Stand	Name
Gezeichnet 19.02.2023	W. Rüning	Gezeichnet 19.02.2023	T. Reimer	Gezeichnet	
Material: 1.4541		Baugruppe: DN1600 ZSB		Blatt 1	
Gewicht:				AT	

DN1600 Assembly FL front	
OC	
Baugruppe: DN1600 ZSB	
Blatt 1	
AT	