



DATA SHEET – MwStop® CHECK VALVE

Technical Data - Short-Housing

| | | | |
|------------------------------------|---|--|---|
| Article no. | Mw146-45-3sh | soft-membrane | |
| | Mw146-55-3sh | std-membrane | |
| | Mw146-65-3sh | hard-membrane | |
| DN | 150 | | |
| Diameter | 144,5 | | |
| Length | 200 mm | | |
| Range of application | Ø 143,5* - 158,5 mm (with outer sealing) *) Minimum installation dimension with suitable sealing tape (without outer sealing): min. Ø 139,5 mm | | |
| Material case | EN 1.4404/AISI 316L | | |
| Material membrane | EPDM | | |
| Material fastening bracket | EN 1.4404/AISI 316L | | |
| max. backflow pressure | soft-membrane 2 m H ₂ O (0,2bar) | std-membrane 3 m H ₂ O (0,3bar) | hard-membrane 3 m H ₂ O (0,3bar) |
| Horizontal opening pressure | 179 mm H ₂ O | 204 mm H ₂ O | 229 mm H ₂ O |
| Horizontal closing pressure | 84 mm H ₂ O | 89 mm H ₂ O | 99 mm H ₂ O |
| max. flow velocity | 2 m/s Fitting for higher flow velocity on request | | |

Membranes are hydrogen sulfide (H₂S) resistant

General distribution: MTA Messtechnik GmbH

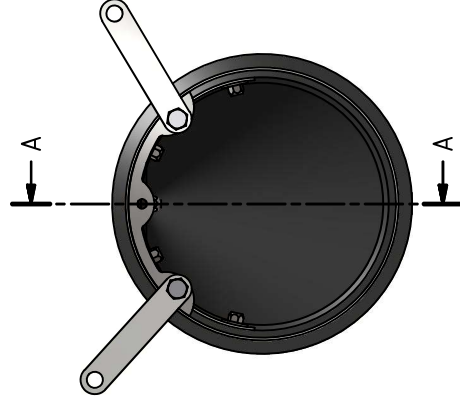
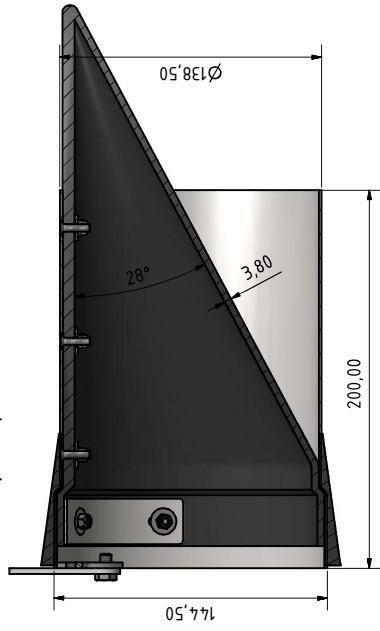
A - 9300 St. Veit an der Glan, Handelsstr. 14 - 16 | www.mta-messtechnik.at | office@mta-messtechnik.at | T +43 4212 71491

Place of jurisdiction: A - 9300 St. Veit an der Glan, FN 226770 k Company register Klagenfurt,

The current terms and conditions can be found on our website: www.mta-messtechnik.at

Produced by: MTA-Water Products GmbH

A-A (1:2)



| | | | | | |
|---------------------------|--|---------------------|--|-------------|--|
| MTA Water Products GmbH | | Projekt: MwStop | | Maßstab 1:2 | |
| Date: 02.02.2019 | | Name: MTA | | 1 | |
| Zeichner: [Name] | | Mitarbeiter: [Name] | | A2 | |
| Material: Edelstahl, EPDM | | Baugruppe: DN150 | | 1 | |
| Gewicht: - | | Bauteil: [Name] | | A2 | |
| Zustimmung: [Name] | | Datum: [Date] | | 2 | |
| U1: [Name] | | U2: [Name] | | 3 | |
| U3: [Name] | | U4: [Name] | | 4 | |
| U5: [Name] | | U6: [Name] | | 5 | |
| U7: [Name] | | U8: [Name] | | 6 | |
| U9: [Name] | | U10: [Name] | | 7 | |
| U11: [Name] | | U12: [Name] | | 8 | |