



# DATA SHEET – MwStop® CHECK VALVE

## Technical Data - Short-Housing

<b>Article no.</b>	Mw116-45-3sh	soft-membrane	
	Mw116-55-3sh	std-membrane	
	Mw116-65-3sh	hard-membrane	
<b>DN</b>	125		
<b>Diameter</b>	115		
<b>Length</b>	190 mm		
<b>Range of application</b>	Ø 115* - 124 mm (with outer sealing) *) Minimum installation dimension with suitable sealing tape (without outer sealing): <b>min. Ø 111 mm</b>		
<b>Material case</b>	EN 1.4404/AISI 316L		
<b>Material membrane</b>	EPDM		
<b>Material fastening bracket</b>	EN 1.4404/AISI 316L		
	<b>soft-membrane</b>	<b>std-membrane</b>	<b>hard-membrane</b>
<b>max. backflow pressure</b>	2 m H <sub>2</sub> O (0,2bar)	3 m H <sub>2</sub> O (0,3bar)	3 m H <sub>2</sub> O (0,3bar)
<b>Horizontal opening pressure</b>	159 mm H <sub>2</sub> O	174 mm H <sub>2</sub> O	194 mm H <sub>2</sub> O
<b>Horizontal closing pressure</b>	79 mm H <sub>2</sub> O	109 mm H <sub>2</sub> O	124 mm H <sub>2</sub> O
<b>max. flow velocity</b>	2 m/s Fitting for higher flow velocity on request		

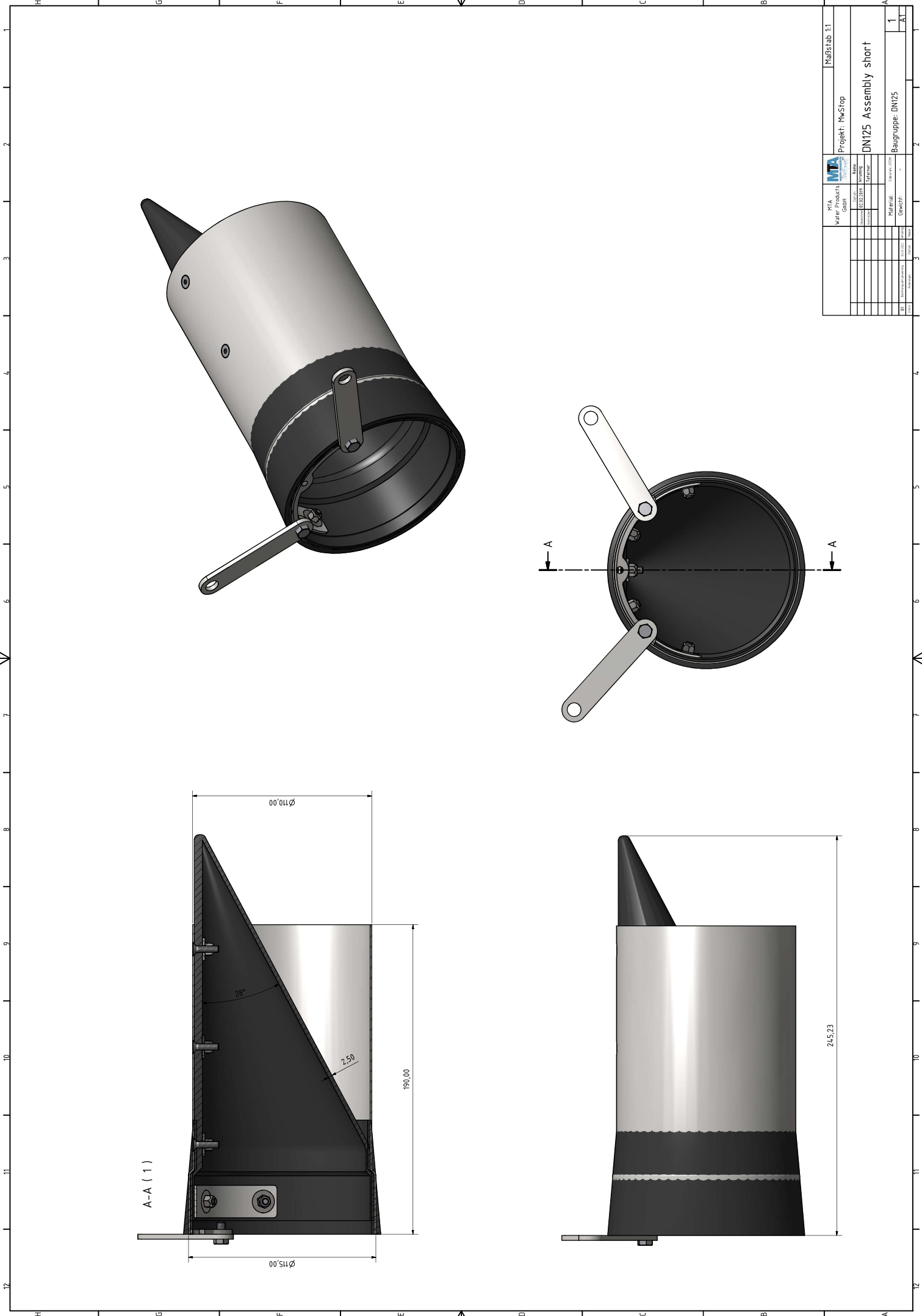
Membranes are hydrogen sulfide (H<sub>2</sub>S) resistant

### General distribution: MTA Messtechnik GmbH

A - 9300 St. Veit an der Glan, Handelsstr. 14 - 16 | www.mta-messtechnik.at | office@mta-messtechnik.at | T +43 4212 71491  
Place of jurisdiction: A - 9300 St. Veit an der Glan, FN 226770 k Company register Klagenfurt,

The current terms and conditions can be found on our website: www.mta-messtechnik.at

Produced by: MTA-Water Products GmbH



MFA Water Products GmbH		Projekt: Mw-Stop		Maßstab 1:1	
Zeichner	Gezeichnet	Geprüft	Geprüft	Baugruppe: DN125	
Material: 1.4571		Gewicht: 1		A	
1		1		A1	

This design, as well as the layout and the contents are property of the company MFA Waterproducts GmbH. Without explicit written agreement they may not be handed over to third parties, neither may be imported, used or copied (reproduced or translated) without the written consent of MFA Waterproducts GmbH. (Federal Law 90a S. 11, 12)